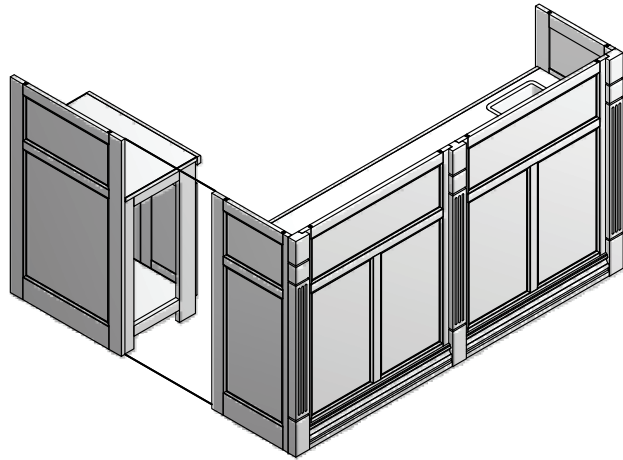
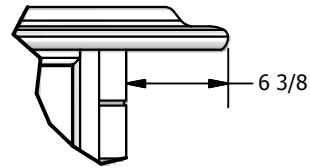


# NAPA RETURN BAR ASSEMBLY INSTRUCTIONS

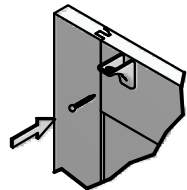
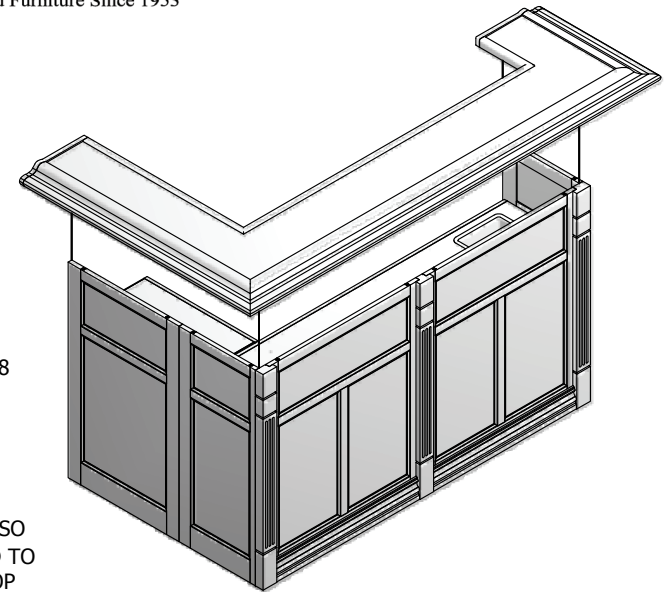
  
California House™  
Finely Crafted Furniture Since 1953



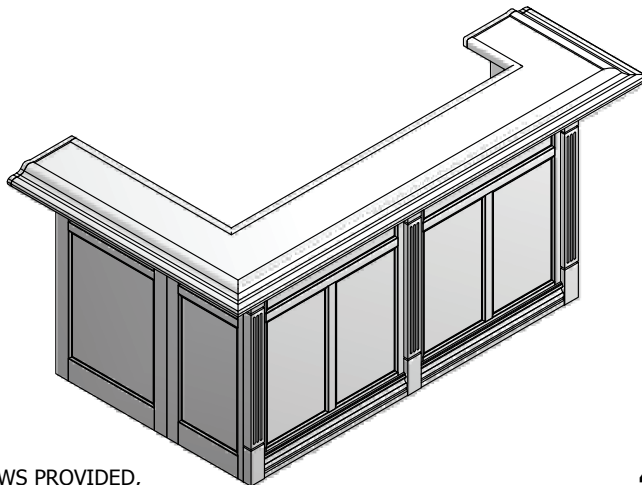
**1** ALIGN THE PRE-FITTED RETURN WITH THE STRAIGHT BAR AS SHOWN. PUSH THE RETURN IN PLACE UNTIL IT SITS FLUSH AGAINST THE STRAIGHT BAR.



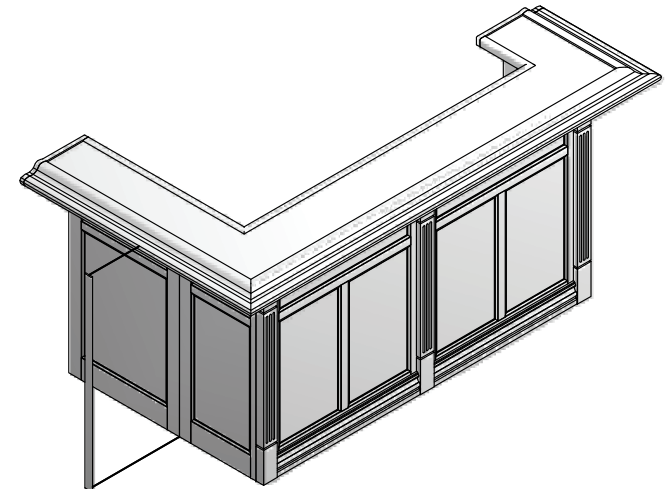
**2** LIFT THE BAR TOP IN PLACE SO THAT THE BRACKETS ATTACHED TO THE UNDERSIDE OF THE BAR TOP REST TO THE INSIDE OF THE BAR CASE. THE FRONT OF THE BAR TOP SHOULD EXTEND ABOUT 6 3/8".



**3** USING THE SCREWS PROVIDED, CAREFULLY FASTEN THE BAR TOP BRACKETS TO THE INSIDE OF THE BAR CASE. DO NOT OVERTIGHTEN OR DEFORM THE BRACKET.



**4** (OPTIONAL) ATTACH THE RETURN COVER STRIP USING THE DOUBLE-SIDED TAPE ON THE BACK OF THE COVER STRIP.



NOTE : CABINET HINGES MAY SHIFT DURING SHIPPING. USE THE HINGE ADJUSTMENT SCREW TO SQUARE THE DOOR WITH THE BAR CASE.